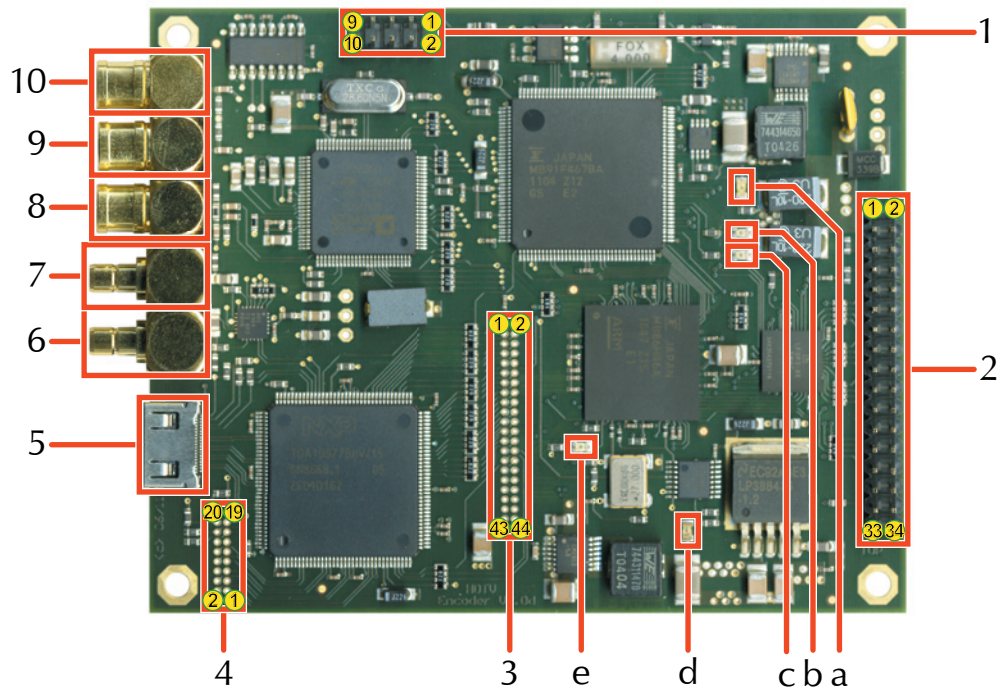


1 Connector description



board dimensions: 80x100 mm

Connectors	1	10pin Header	RS232
	2	34pin Header	TS _{out} connection to modulator/multiplexor
	3	44pin Header	ITU656
	4	20pin Header	HDMI 2
	5	HDMI socket	HDMI 1
	6	SMB socket	Audio R 0 dB signal level
	7	SMB socket	Audio L Signal level adaption only possible after circuit change on the Encoder board!
	8	SMB jack	Y
	9	SMB jack	P _B
	10	SMB jack	P _R

LEDs	a	LED green	3.3 V Power ok
	b	LED green	optional
	c	LED green	optional
	d	LED red	1,8 V Power ok
	e	LED green	Encoder loaded and running

2 Pin description

1 – RS232			
1	ext. mode	2	Control TxD
3	Control RxD	4	Data Rx
5	GND	6	Data Tx
7	con. with 8	8	con. with 7
9	Reset	10	GND

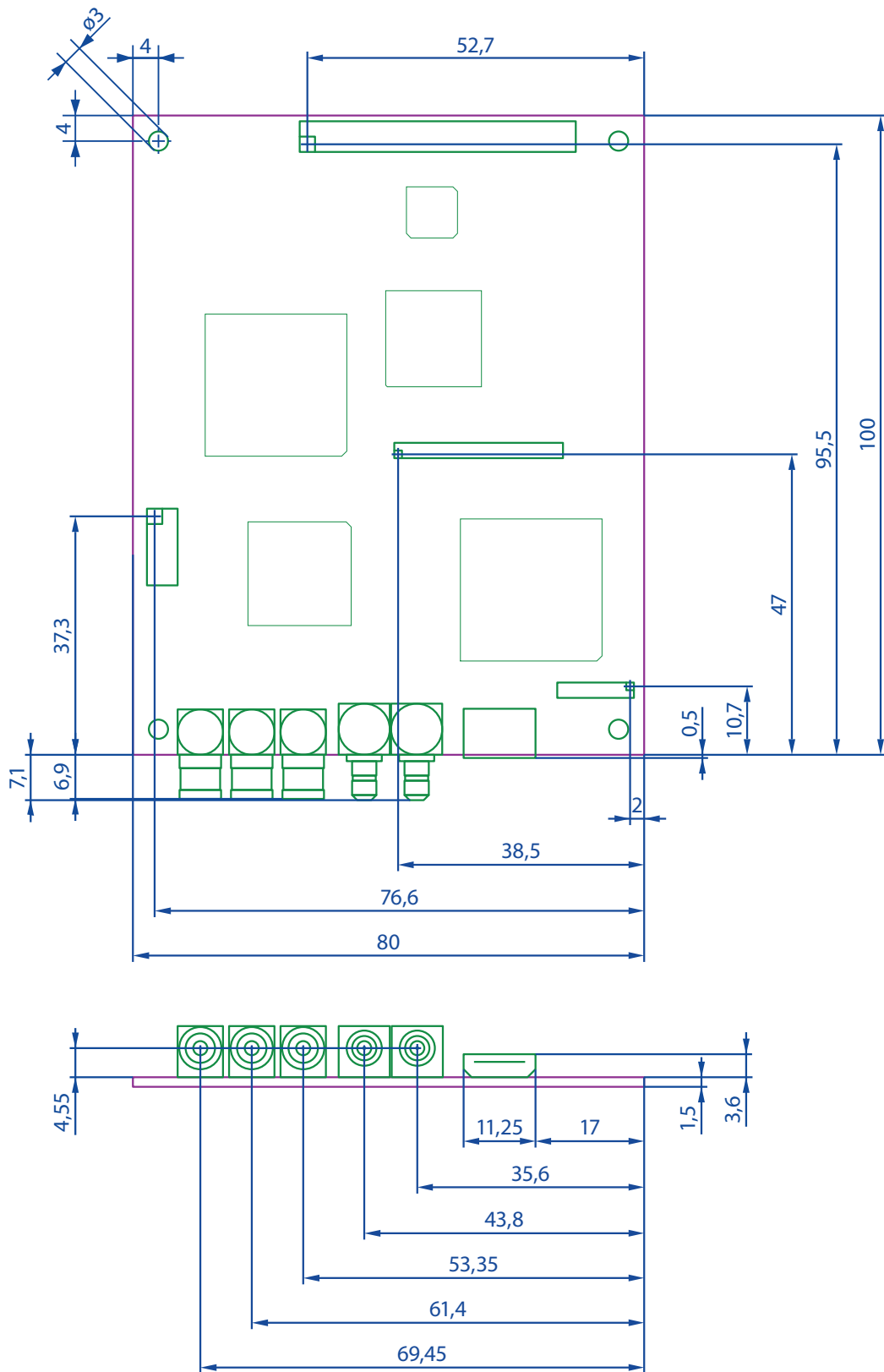
3 – ITU656			
1	+5 V	2	TV
3	ADCK	4	ACRCK
5	AD3	6	AD2
7	AD1	8	AD0
9	AMCK	10	SPDIF
11	VD15	12	VD14
13	VD13	14	VD12
15	VD12	16	VD10
17	VD09	18	VD08
19	VD07	20	VD06
21	VD05	22	VD04
23	VD03	24	VD02
25	VD01	26	VD00
27	GND	28	Field
29	VSYNC	30	HSYNC
31	GND	32	VICKL
33	GND	34	MCLK-SDI
35	GND	36	SCK
37	S _{OUT}	38	S _{IN}
39	Detect	40	GND
41	1,8 V	42	1,8 V
43	3,3 V	44	3,3 V


2 – Transport Stream Output			
1	+5.0 V	2	+5.0 V
3	+5.0 V	4	+5.0 V
5	SDA	6	not connected
7	SCL	8	xReset
9	GND	10	GND
11	TSCLK in/out	12	PSYM
13	not connected	14	DVAL
15	TS 6	16	TS 7
17	TS 4	18	TS 5
19	TS 2	20	TS 3
21	TS 0	22	TS 1
23	GND	24	GND
25	SD Out	26	PLL THR
27	SDCLK	28	SD In
29	GND	30	GND
31	MCLK 27 MHz	32	ASCLK
33	RST Vid. Codec	34	not connected

4 – HDMI 2	
1	TMDS Data2+
2	TMDS Data Shield
3	TMDS Data2-
4	TMDS Data1+
5	TMDS Data Shield
6	TMDS Data1-
7	TMDS Data0+
8	TMDS Data Shield
9	TMDS Data0-
10	TMDS Clock+
11	TMDS Clock Shield
12	TMDS Clock-
13	CDC/CDC
14	not connected
15	SCL
16	SDA
17	DDC/CEC Ground
18	+5 V Hot Plug
19	Hot Plug Detect
20	GND

5 – HDMI 1 (Type C)	
1	TMDS Data2+
2	TMDS Data2-
3	TMDS Data2 Shield
4	TMDS Data1+
5	TMDS Data1-
6	TMDS Data1 Shield
7	TMDS Data0+
8	TMDS Data0+
9	TMDS Data0 Shield
10	TMDS Clock+
11	TMDS Clock-
12	TMDS Clock Shield
13	CDC/CEC
14	Reserved
15	SCL
16	SDA
17	DDC/CEC Ground
18	+5 V Hot Plug
19	Hot Plug Detect

3 Dimensional drawing



 note: all dimensions are given in mm (1 inch=25.4 mm)!

The board itself is 2.0 mm thick, the maximal component height is 14.0 mm from the top of the board. The safety clearance for component pins should be 4.0 mm from the bottom of the board.

Errata/corrections:

07.07.2011 First release

08.09.2011 Connector description corrected

The information in this manual was compiled with great care and to our best knowledge; nevertheless there might be some errors left in this document. We do not take legal or any other responsibility for the correctness of any information.

This document is protected by copyright law. All rights including copying, translation, microfilming as well as storage and processing in electronic systems are reserved.

We are happy to receive your comments and questions:

SR-Systems	Tel.: +49 (66 63) 91 88 66
Brüder-Grimm-Straße 130	Fax: +49 (66 63) 91 88 67
36396 Steinau	eMail: DATV@SR-Systems.de